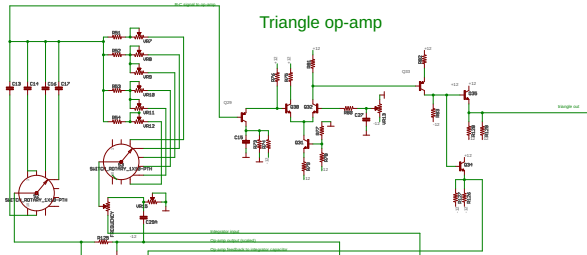
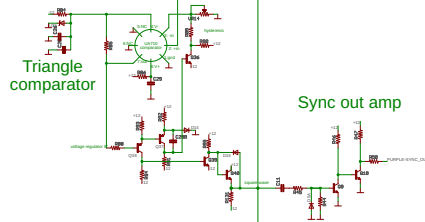


Triangle integrator R-C



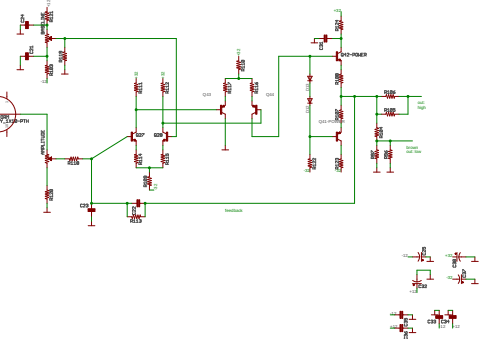
Triangle op-amp



Triangle comparator

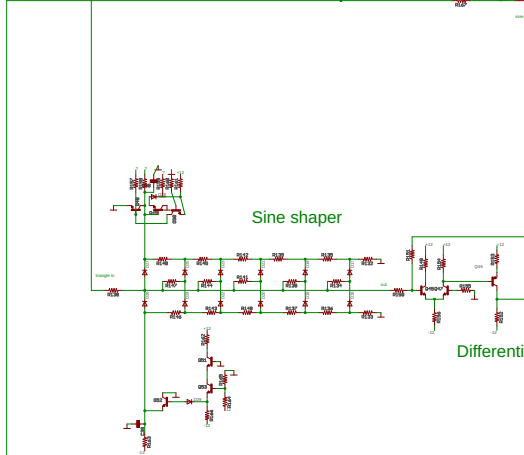
Sync out amp

Waveform output amplifier



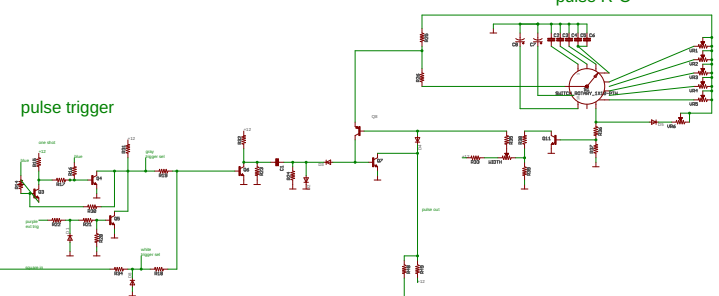
Sine shaper

Differential amp



pulse R-C

pulse trigger



+ power regulator

- power regulator (mirror)

Output drivers

